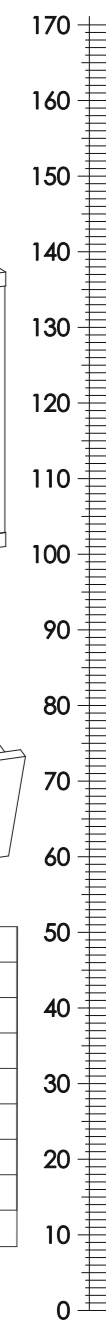
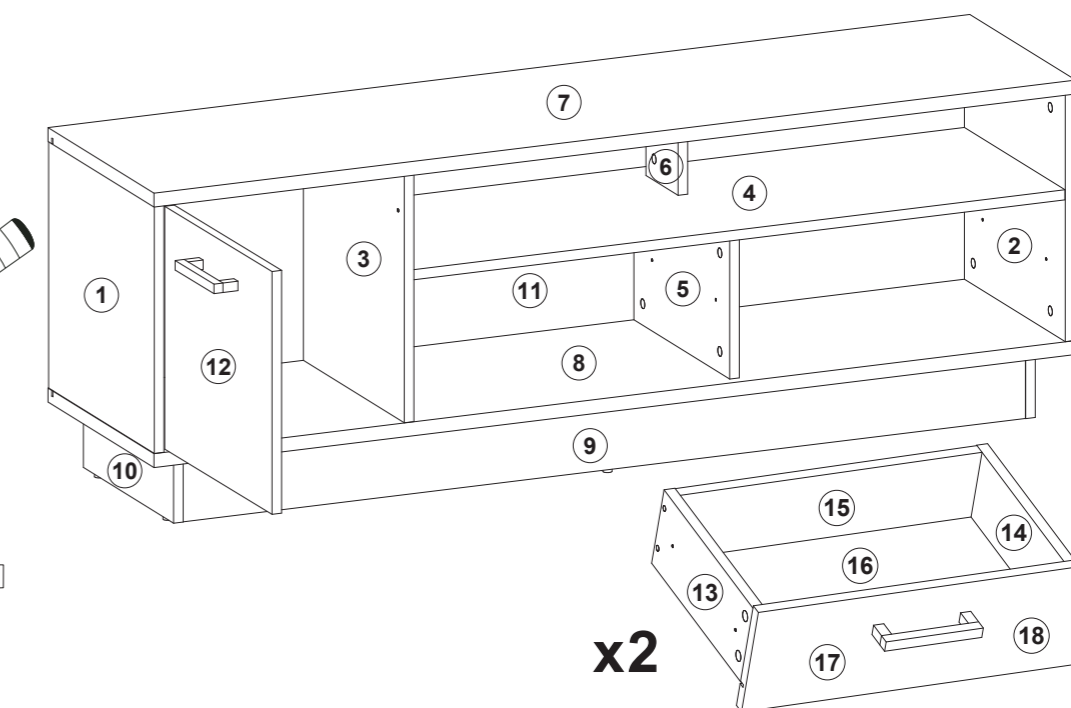
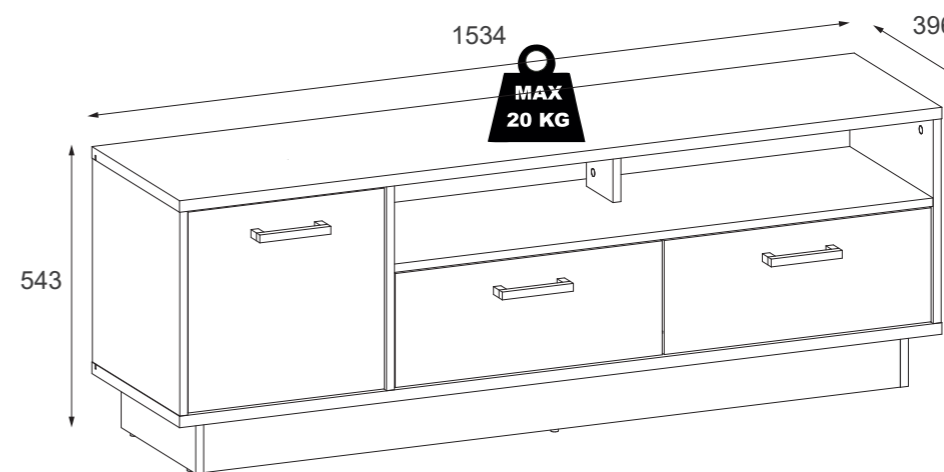
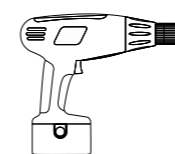
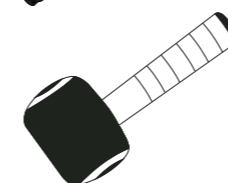
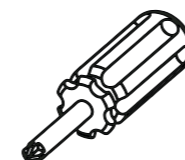
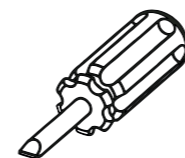
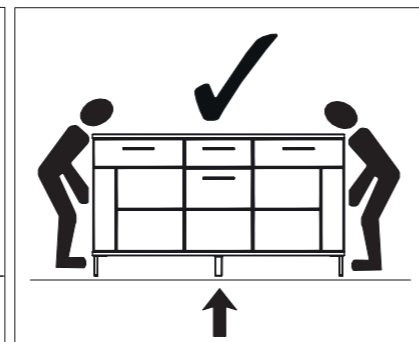
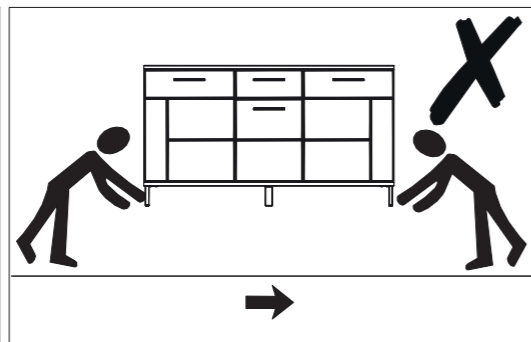
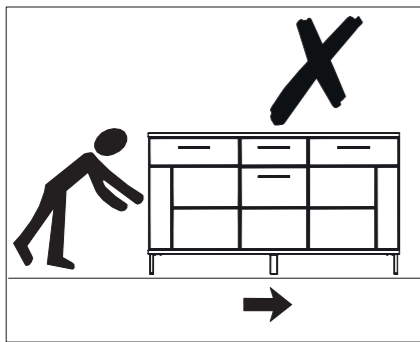
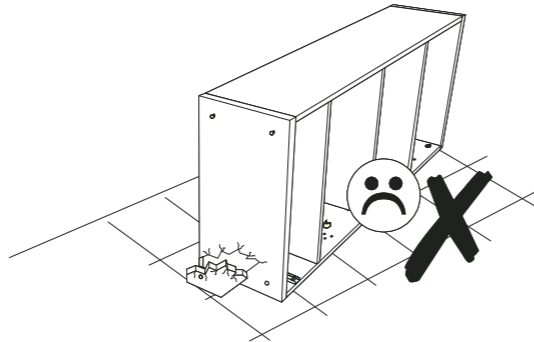
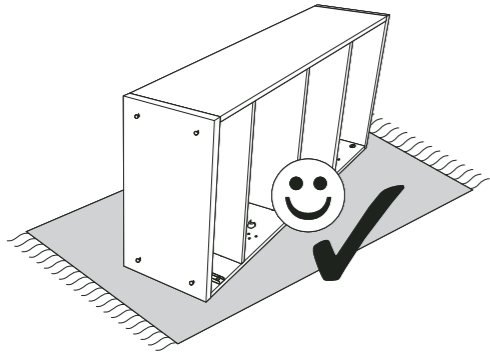
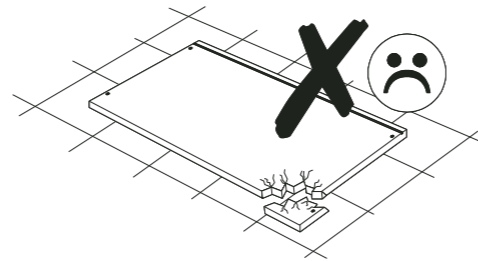
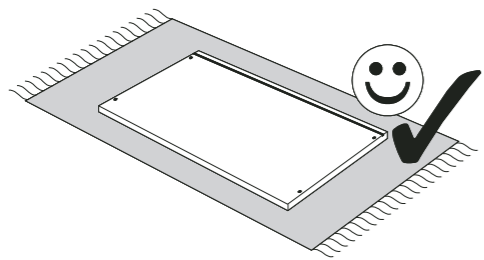
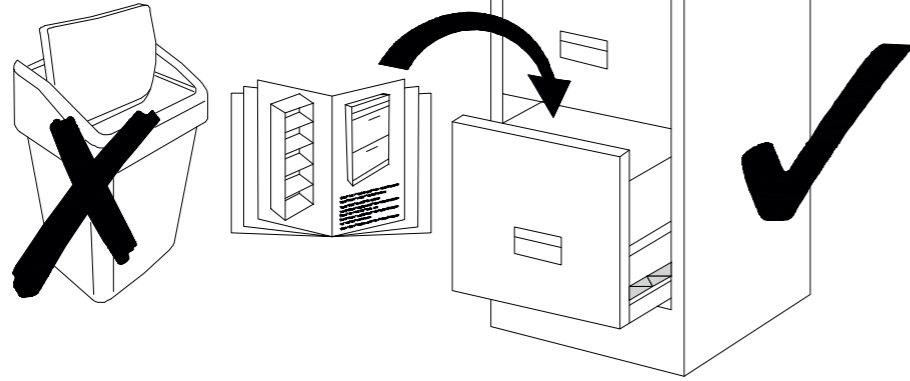


MODELL: CN1

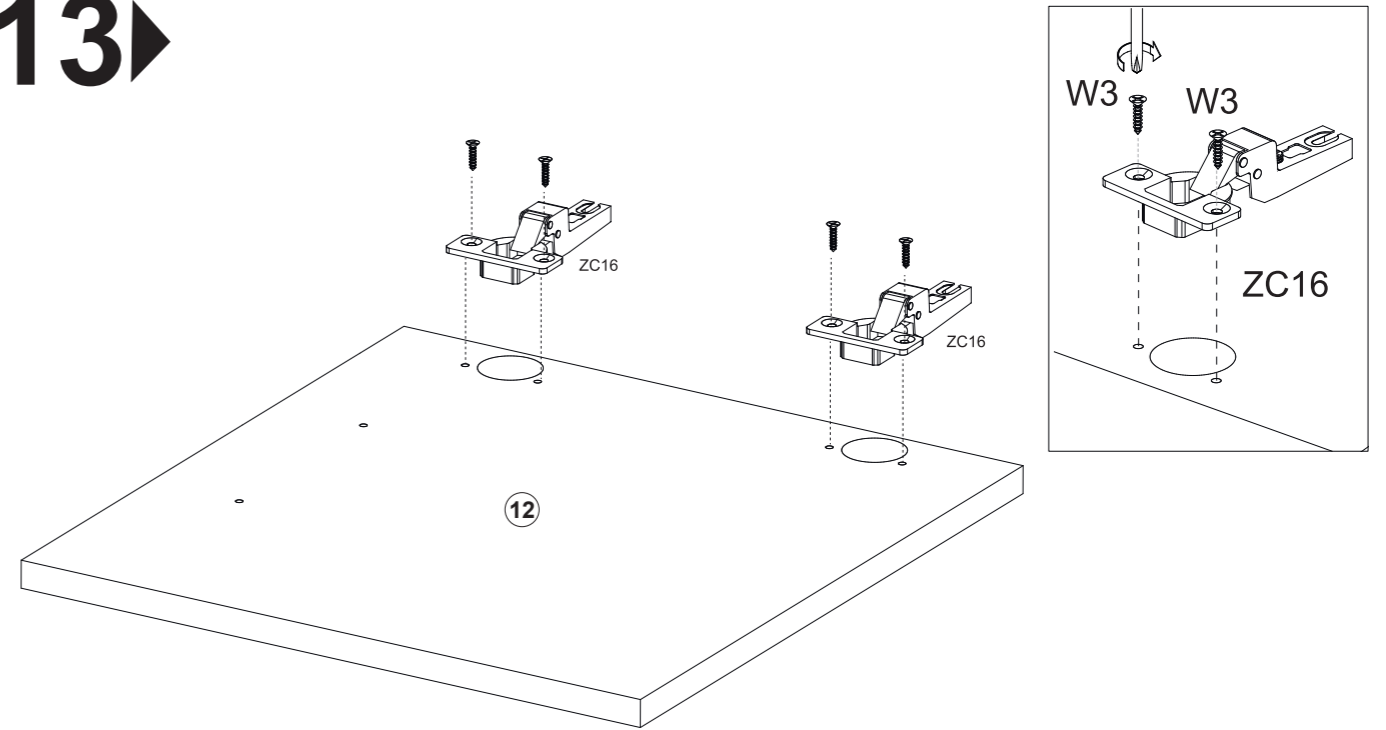


	A	B (mm)	C	D		A	B (mm)	C	D		
1	390	395	16	x1	1/2	11	1516	404	2,5	x1	2/2
2	390	395	16	x1	1/2	12	384	395	16	x1	1/2
3	390	377	16	x1	1/2	13	350	160	16	x2	1/2
4	1084	376	16	x1	1/2	14	350	160	16	x2	1/2
5	224	358	16	x1	1/2	15	476	146	16	x2	1/2
6	150	120	16	x1	1/2	16	492	357	2,5	x2	1/2
7	1534	396	22	x1	2/2	17	537	218	16	x1	1/2
8	1534	396	22	x1	2/2	18	537	218	16	x1	1/2
9	1402	104	16	x2	2/2						
10	337	104	16	x2	2/2						

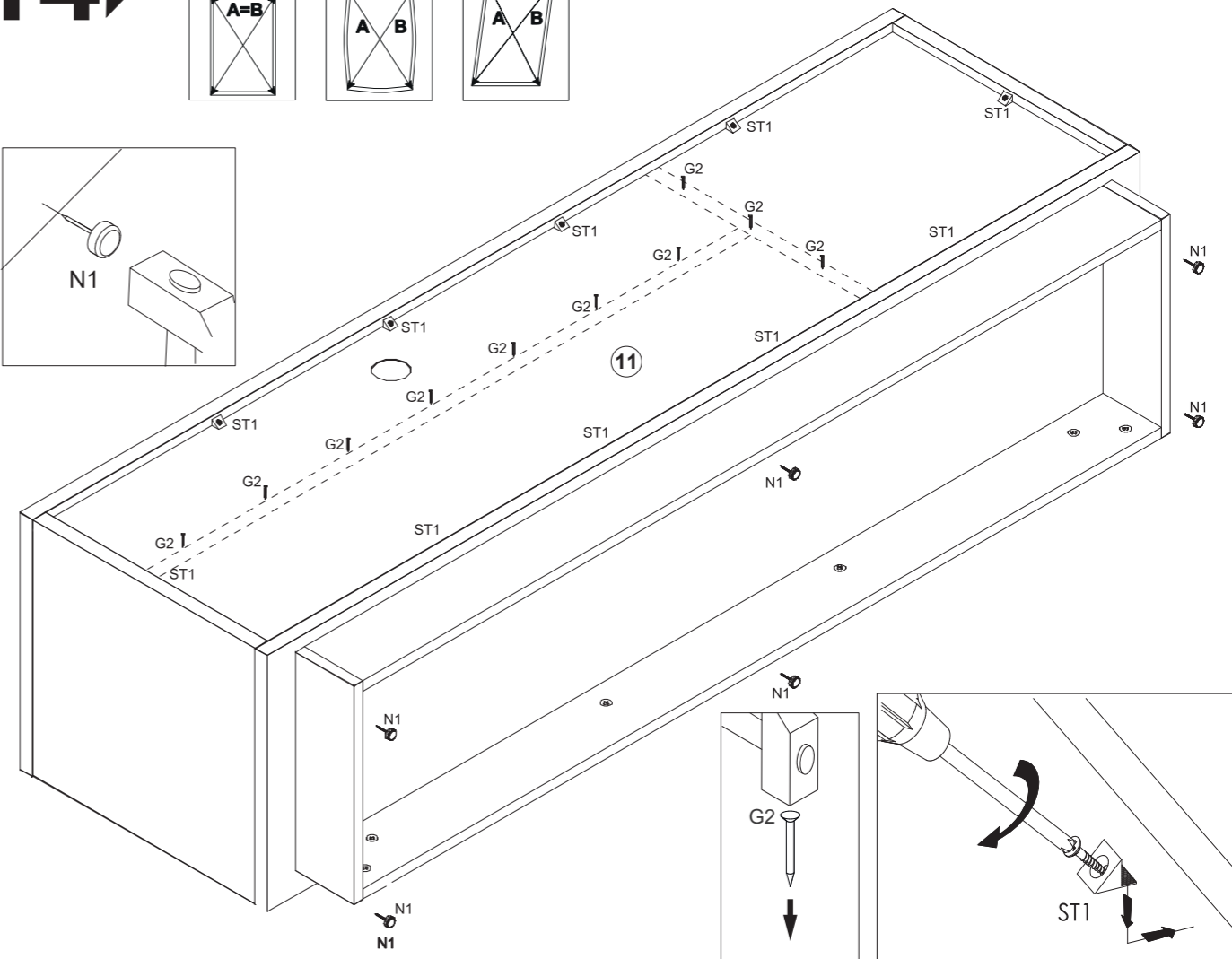
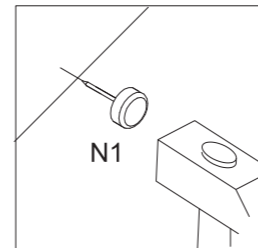
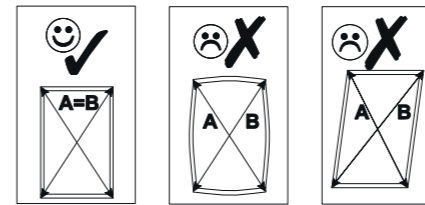
2x	4x																		
ZC16	E2																		
18x	4x	10x	2 kpl.	8x	1x	2x	3x	6x											
#20/871	ZN1	W3	PK3	#14/871	ZN2	B4	H=2	PRO	U1	N1									
8x	26x	1x (opcja)	1x	42x	42x	6x	20x	12x											
K5	K1	L1	LED	#15/15	M1	T1	WM1	G2											



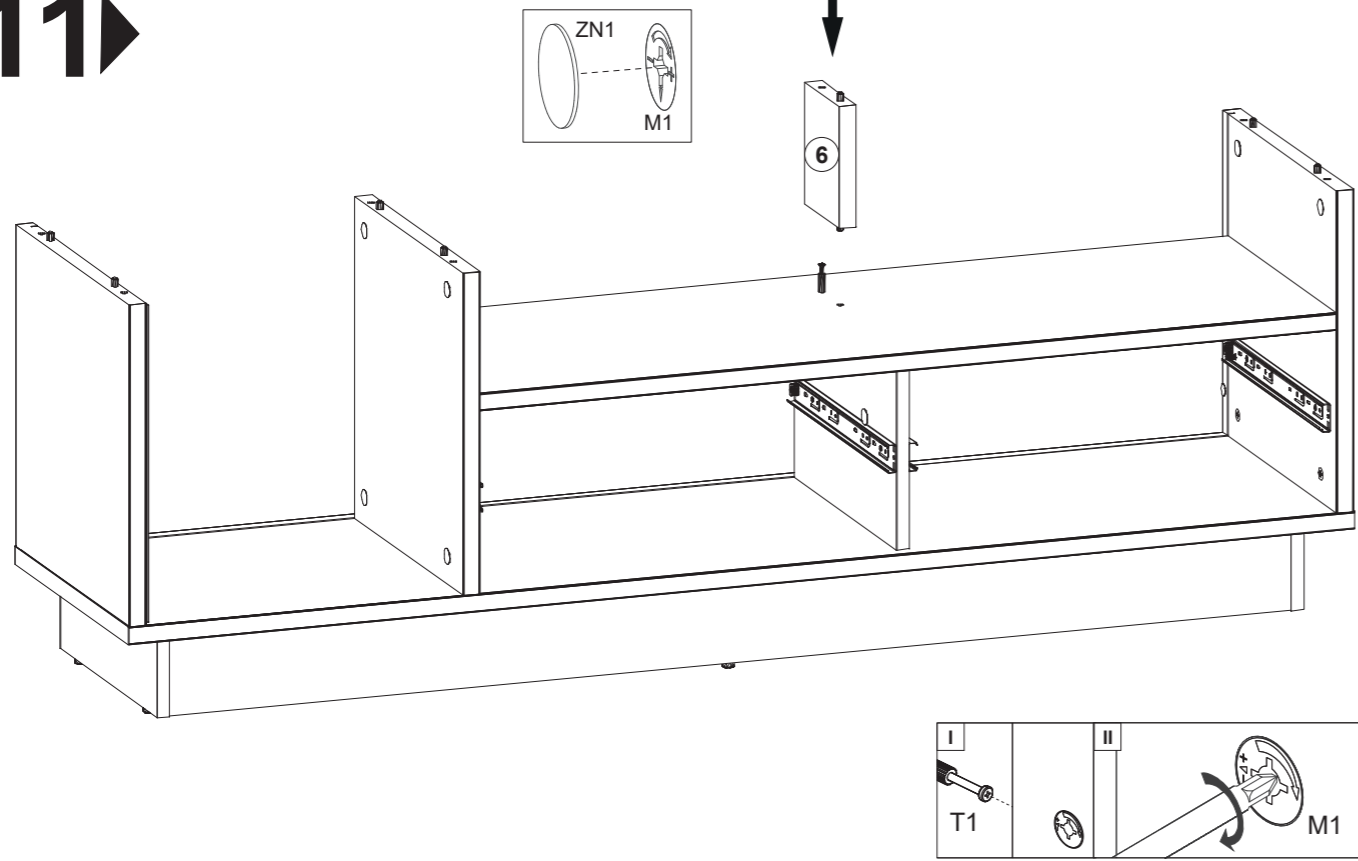
13



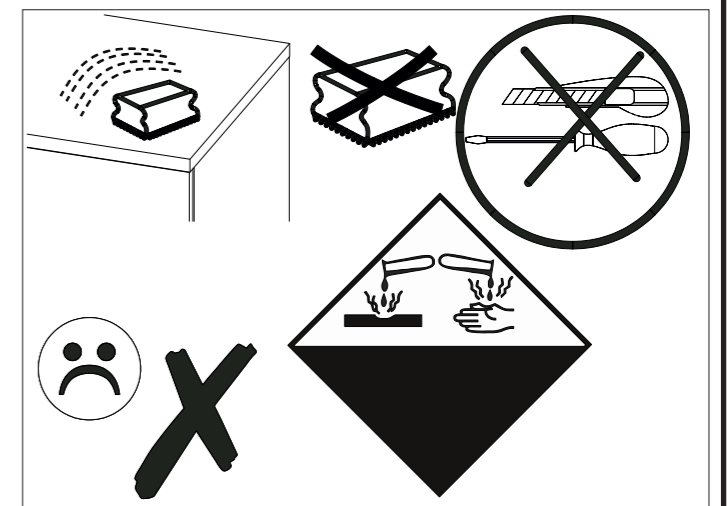
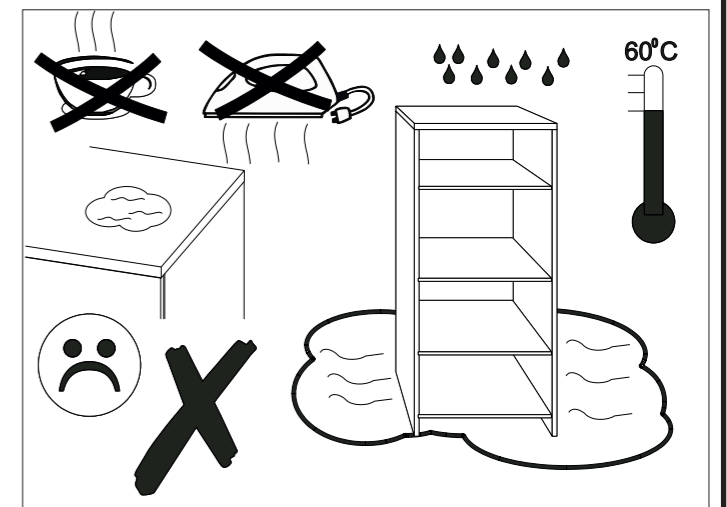
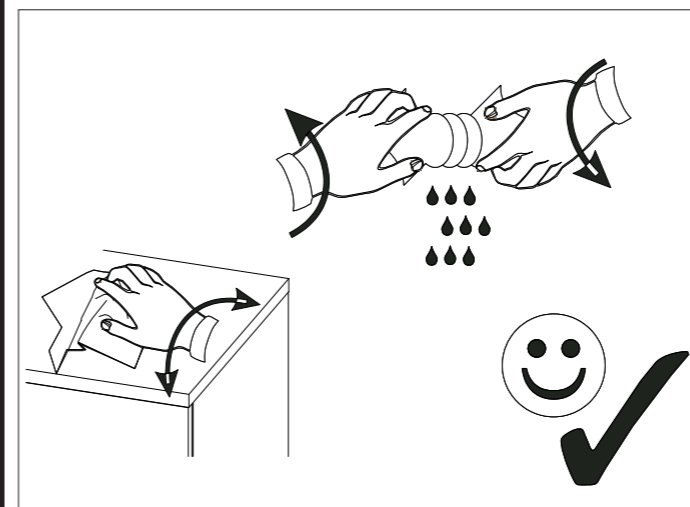
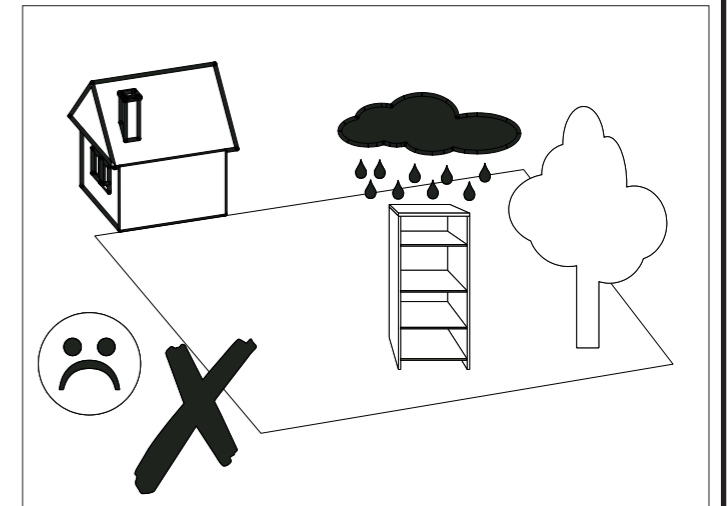
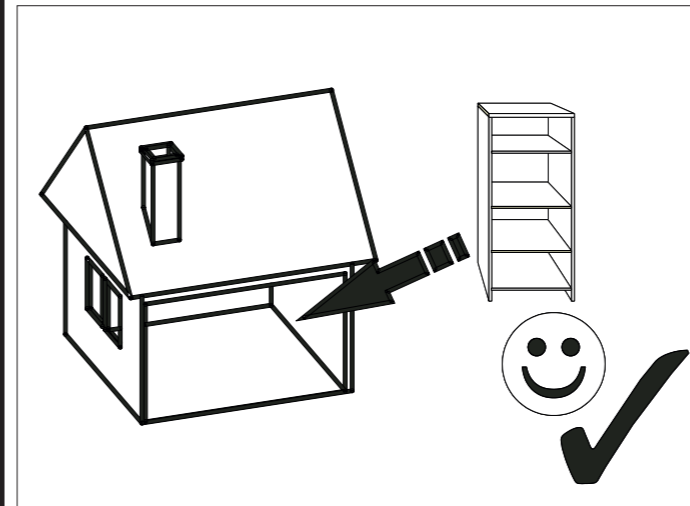
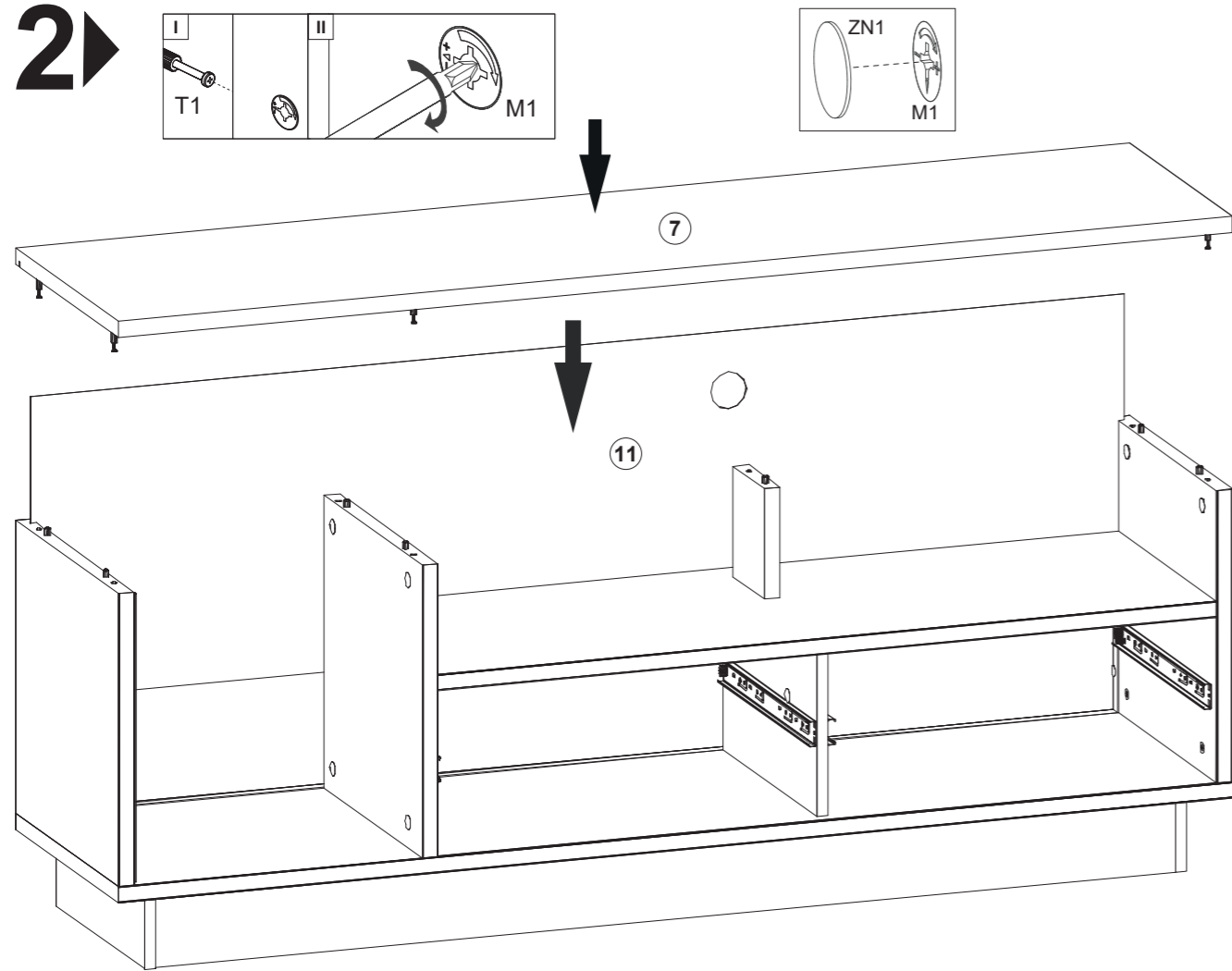
14

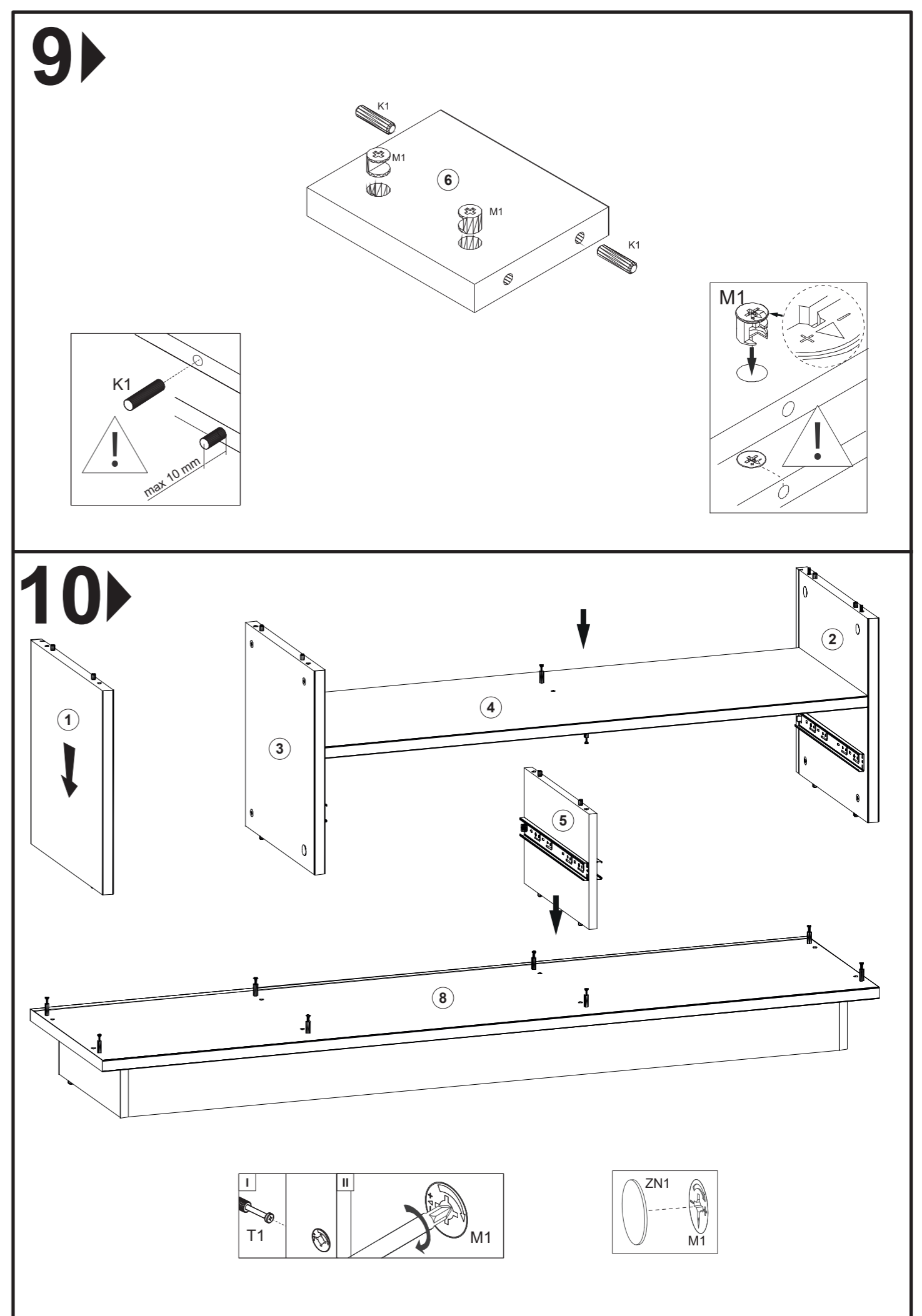
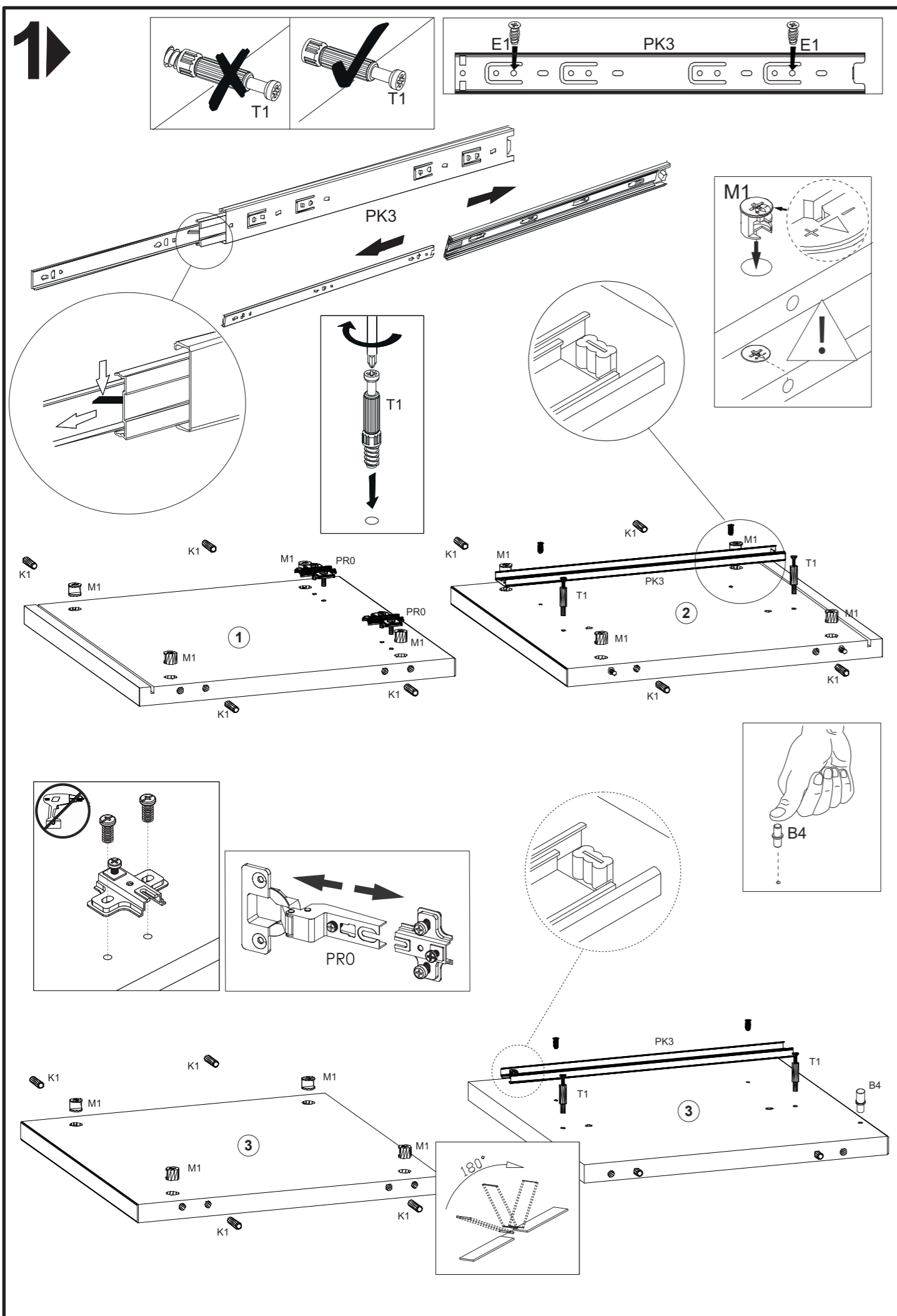


11▶

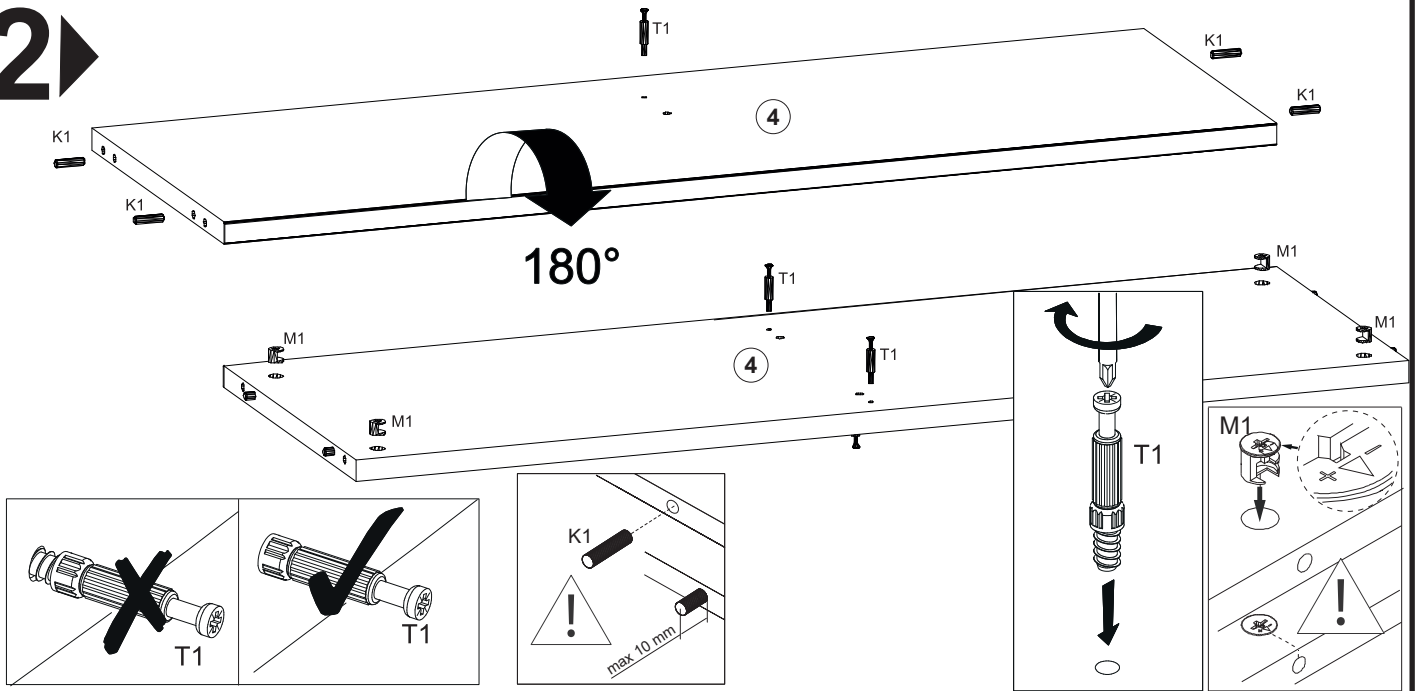


12▶

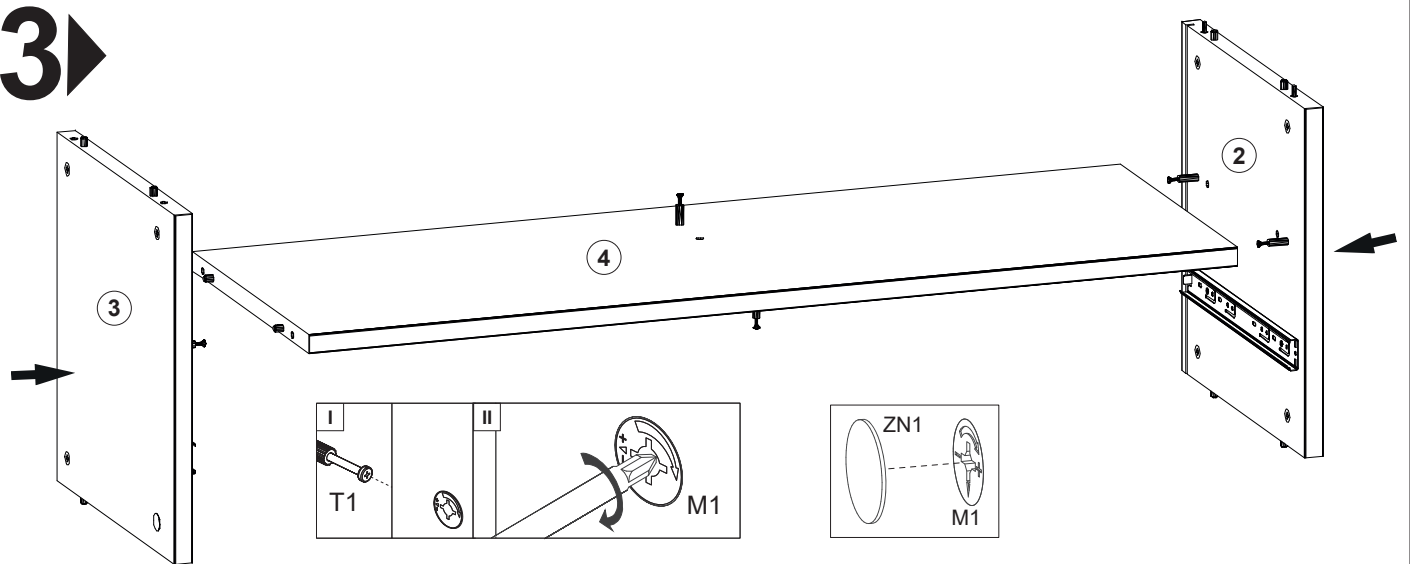




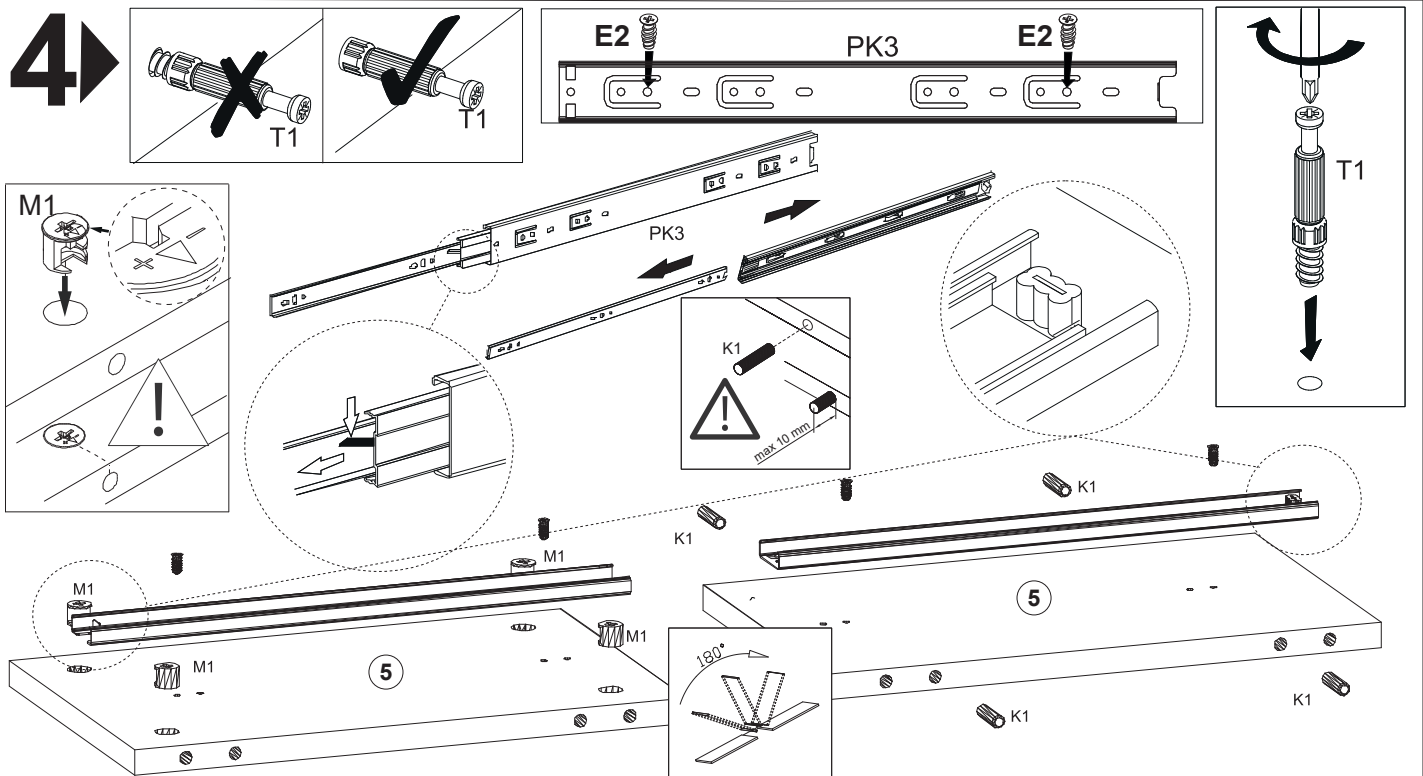
2



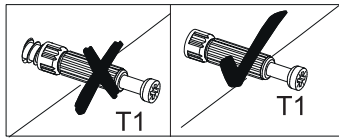
3



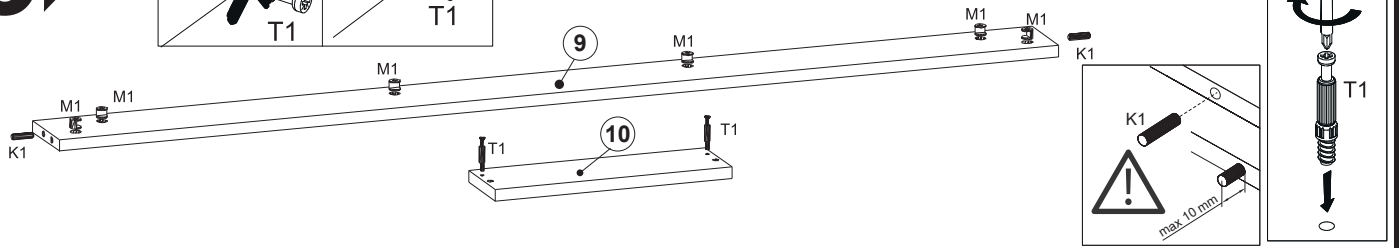
4



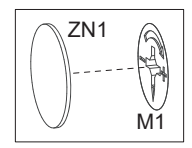
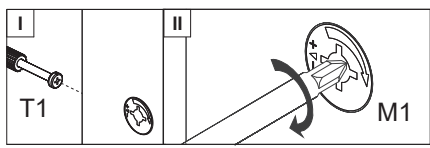
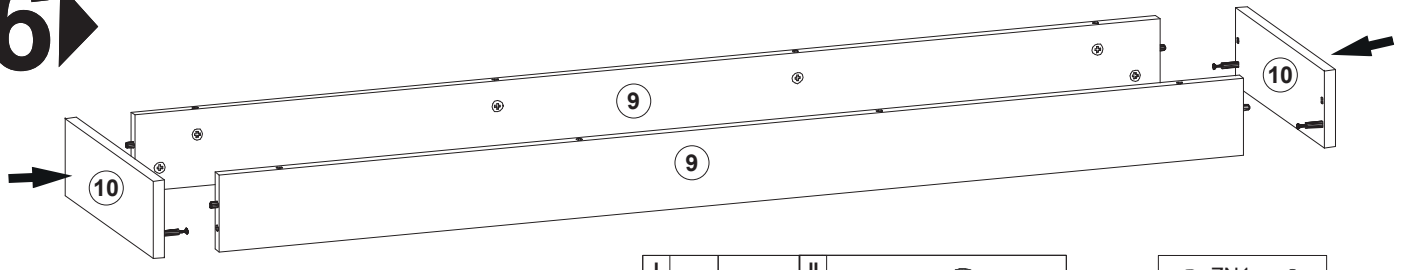
5▶



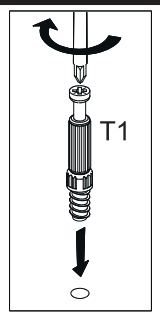
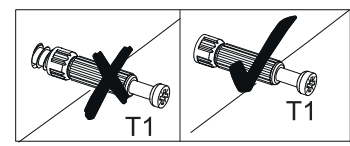
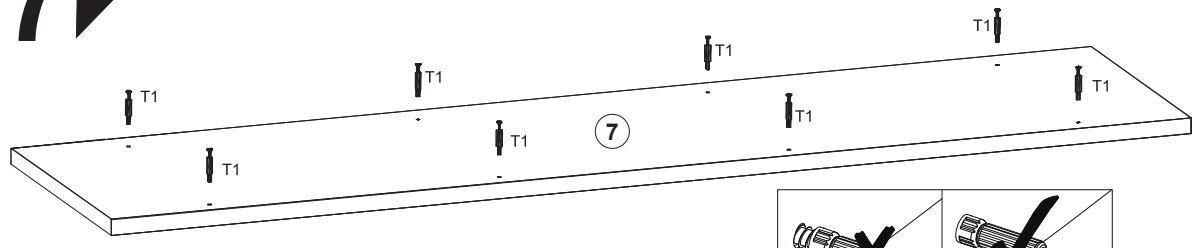
x2



6▶



7▶



8▶

